

**NEW**



## **TO MAKE RESURFACING FOR BRAKEDISKS EASY AND SAFE**

NEW 'DBL-3000' is attached directly on vehicles for resurfacing.

The existing model is upgraded and remodeled from customer-oriented perspectives to enable easier and safer disk resurfacing.

Resurfacing articularly improves the performance of brake disks and shortens the braking distance to guarantee safer operations.

Try operating it on various vehicle types.

**Country Distributor**

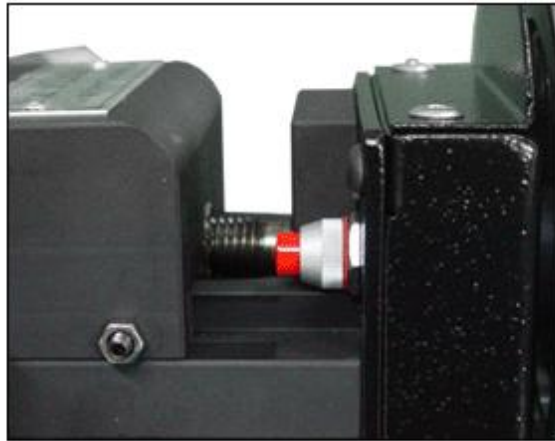
**Khalid Motors & Diagnosis Centre (Pvt) Ltd**

**68-7C Mozang Road Lahore 54000**

**PH: +92-42-6369943, Fax: +92-42-6368832**

**E.mail: [info@kmdceqpt.com](mailto:info@kmdceqpt.com), Web: [www.kmdceqpt.com](http://www.kmdceqpt.com)**





#### **Automatic stopping function**

It is an automatic stop button with alarm for disconnect electric power, when the working finishes.



#### **Adjusting dial of super precision for micro range**

It is possible to adjust for accuracy of micro range owing to the memory dial of super precision.



#### **Control system for user's convenience**

The yellow color is used for concentration during working time. The Motor direction transfer switch is bigger than previous one for convenience. The power switch is added emergency stopping function for disconnect electric power, if occur any risks.



#### **Adjusting bar for height**

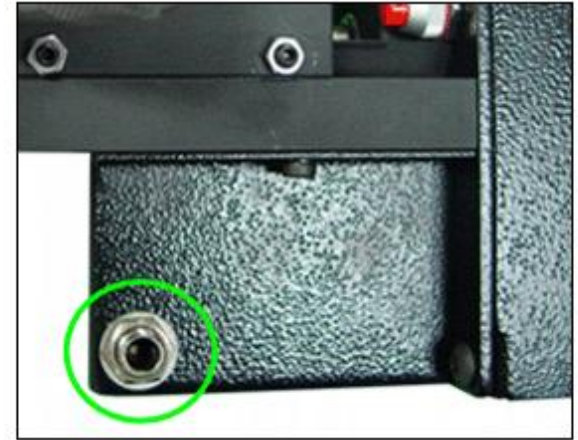
It is possible freely to adjust height for various vehicles as using of adjusting bar and universal adapters.

It can support to send the rotation power under any conditions and makes accurate resurfacing circumstance.

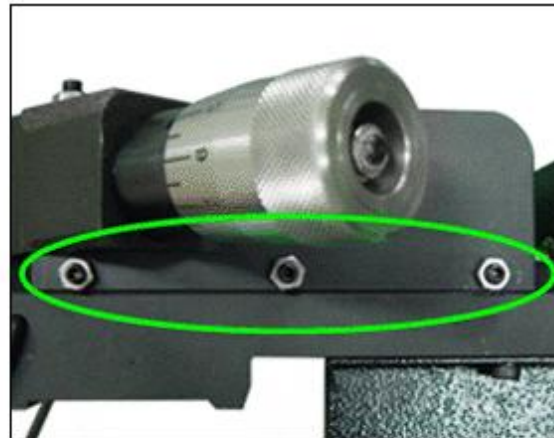


**Using the cover for prevention of iron dust**

The cover prevents iron dust during the resurfacing time and protect wrong function.



**Plug socket of electric power for lathe**



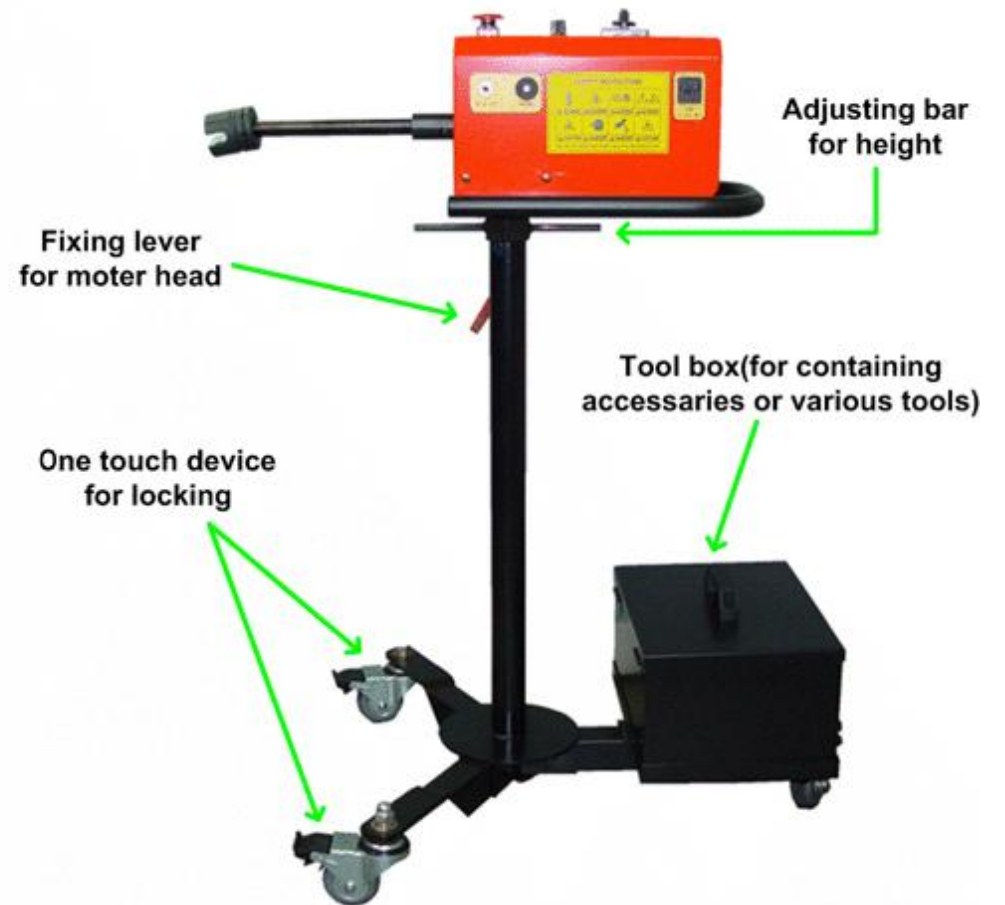
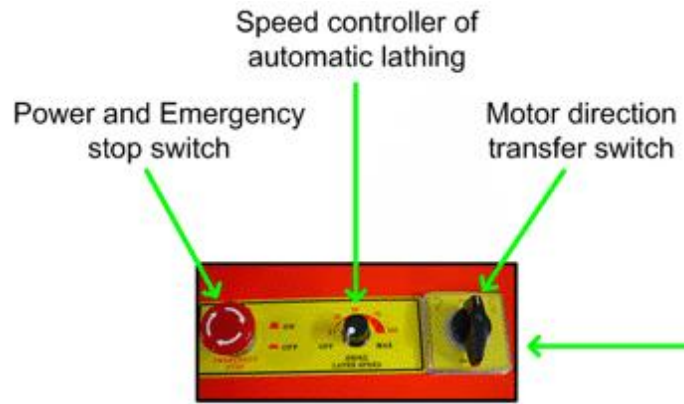
**Convenient adjustment of space**

It was installed as designed bolts and nuts for convenient adjustment of space.



**The shim for space adjustment was built in**

The shim was built in for accurate resurfacing.



# Standard Accessories



1)  
- Joint



2)  
- DC Cable



3)  
- Connector for Caliper and Jig



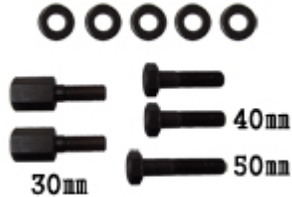
4)  
- Wheel nut washer



5)  
- Protection Glasses



6)  
- Bite wrench



7)  
- Washer & Bolt



8)  
- Silencer Band



9)  
- Lathe



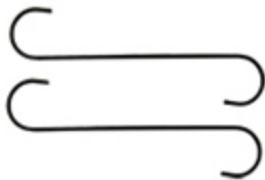
10)  
- Fuse



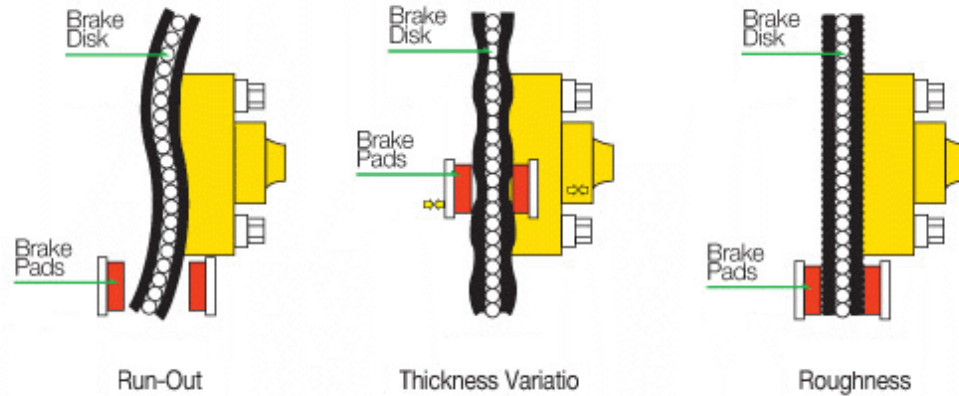
11)  
- Electric power cable



12)  
- Jig



## Brake disk and pad



## Technical Specificaton

### ▪ Motor

1/4 HP, 0.18Kw, 110/220V-2.9A, 50/60 HZ

Motor RPM 90-120 Ratio: 1:20-1:15

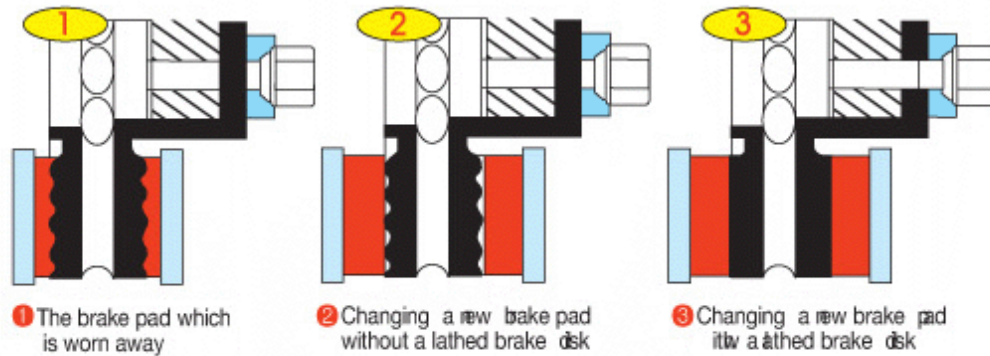
### ▪ Disk Rotor Size

Maximum Diameter: 360 mm

Maximum Thickness: 38 mm

Machine Net Weight: 55 Kg

## Comparison of before and after



### Why must the disks be resurfaced?

The disks are made by casting and may cause **Sliding, Hardening, Vibrating, Inclining, and Generate noise** when abnormal wearing of surfaces is caused by distortion(alteration of run-outs) due to the friction heat and cooling from braking.

As replacing the disks causes repetition of such phenomena, the disks must be resurfaced for the safety of the operators.